



QUICSEAL 411

Product Name
uPVC L-STRIP

Description

QUICSEAL 411 is made from high quality unplasticised polyvinyl chloride (uPVC) materials and offers high impact strength while providing excellent impact properties.

Uses

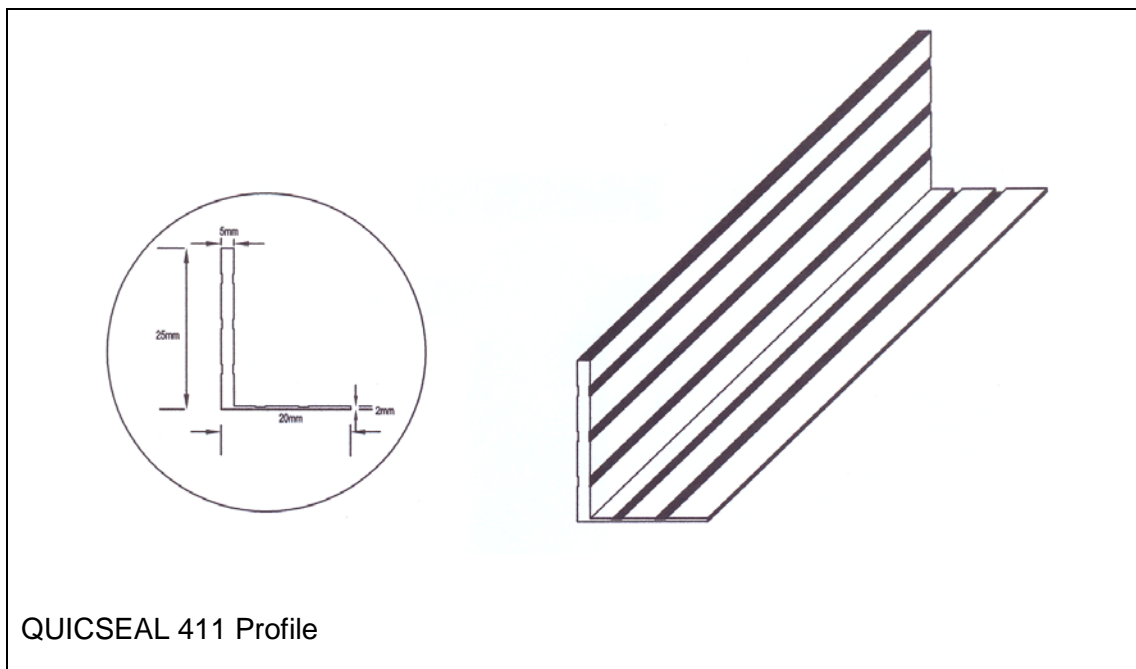
QUICSEAL 411 is ideal for use as a dividing strip between different finishes and to serve as a control joint to assist in the finishing and screeding work for the building industry.

Advantages

- Excellent weather resistant properties
- Simple installation
- Does not support combustion

Installation instruction

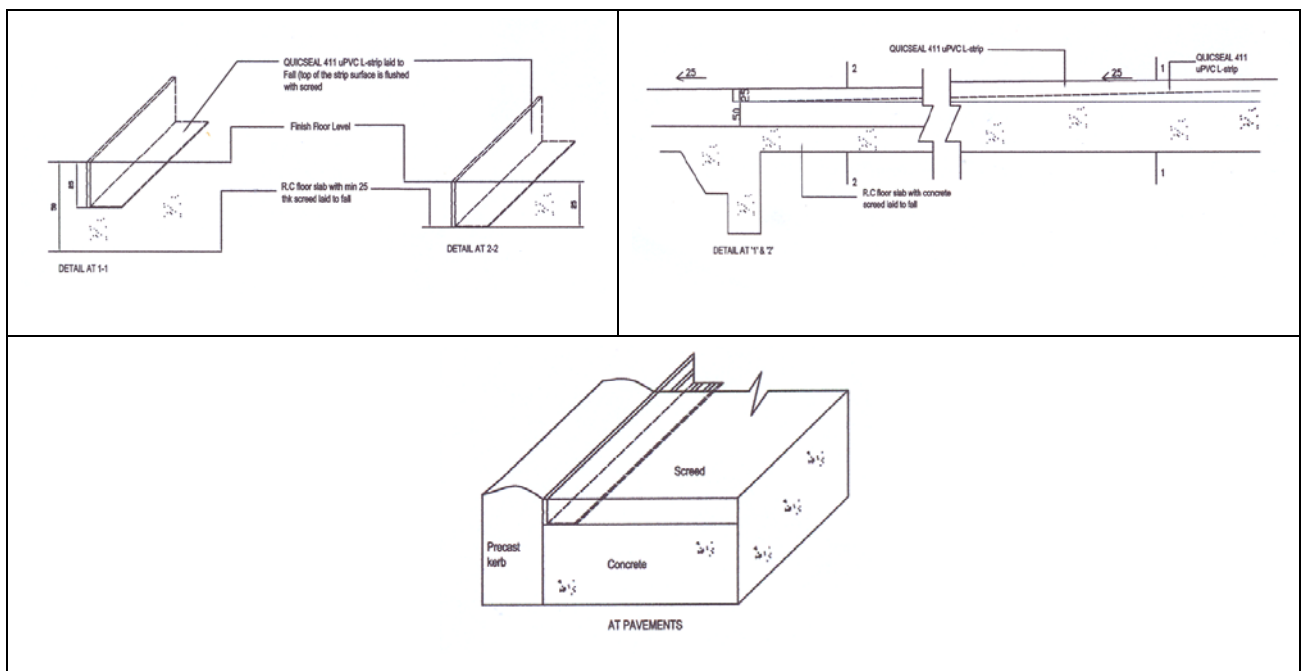
1. Cut QUICSEAL 411 to required length with an aid of a hacksaw and smoothen the cut edge with a small file or hand cutter.
2. Set QUICSEAL 411 with mortar base according to the required depth of screeding.
3. Allow mortar to set before proceeding with screeding works.



Technical Data

Property	Requirement	QUICSEAL 411
Colour	-	Grey
Dimensional Test		
Top Width	5mm ± 1mm	Pass
Height	25mm ± 1mm	Pass
Base Width	20mm ± 1mm	Pass
Base Thickness	2mm ± 0.5mm	Pass
Straightness on plan	Not exceeding 4mm/m run	Pass

Typical applications of QUICSEAL 411 uPVC L-strip



Packing

Length : QUICSEAL 411 is available in lengths of 3.0m
 Pack size : 100 lengths per box

Important Notes

The information set forth herein is furnished in good faith and is based on technical data that QUICSEAL considers to be reliable. This information is intended for use by persons having technical skill and at their own discretion and risk. Information contained in this product sheet conforms to the standard detail recommendations and specifications for the installation of QUICSEAL products as of the date of publication of this document. QUICSEAL makes no other warranties and assumes no liability, expressed or implied, as to the architecture, engineering or workmanship of any project. To ensure that you are using the latest, most complete information, contact QUICSEAL.

Reference No. QS411/020503

QUICSEAL CONSTRUCTION CHEMICALS PTE LTD

QUICSEAL – the professional's choice of quality products and systems for building construction