



# QUICSEAL 407

## Product Name

uPVC EXPANSION JOINT

## Description

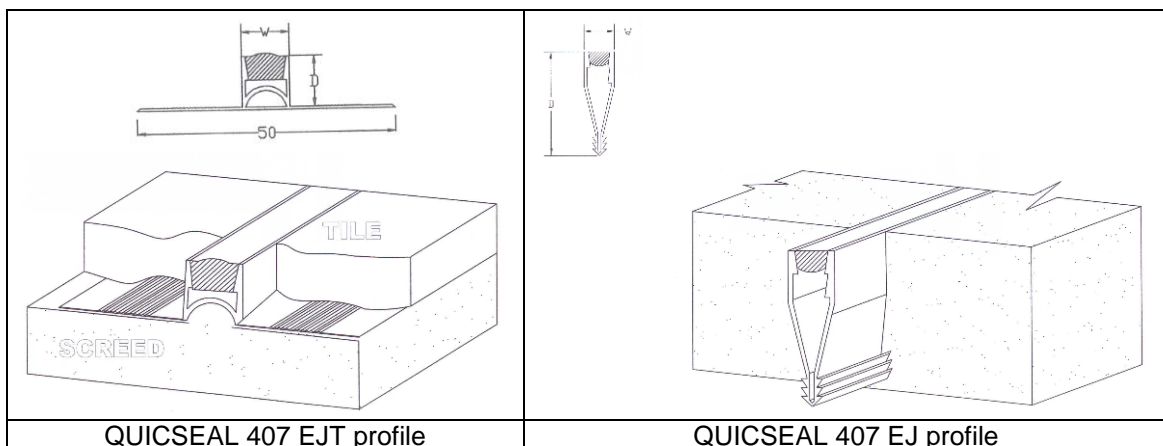
QUICSEAL 407 uPVC Expansion Joint is manufactured from high quality unplasticised polyvinyl chloride (uPVC) materials. QUICSEAL 407 is ideal as a high performance, non-structural expansion joint to isolate and sub-divide large tiled and screed surfaces where it abuts restraining surfaces such as perimeter walls, kerbs, columns, etc. The integral PVC compression zones in the expansion joint localises the induced stresses resulting from temperature changes and alleviate the problems of surface cracking and debonding of tiles from the screed.

## Advantages

- Easy to install / save time – expansion joints are laid progressively during tile installation.
- Virtually maintenance free when compared with traditional methods such as silicon or bitumen joints which are unsightly and require constant servicing.
- Perforated patterns in QUICSEAL 407 provide secure anchorage under the tile or screed.

## Limitations

QUICSEAL 407 is a non-structural expansion joint ; hence do not install the product through tilework directly over expansion joints.



## Installation instruction

1. Select the expansion joint profile/ model according to the flooring material and screed/ tile thickness.
2. Measure and mark the required length of the expansion joint profile.
3. Cut QUICSEAL 407 profile using a cutter. Cut edges can be smoothed by using a small file.
4. Lay the QUICSEAL 407 and ensure that it is securely adhered onto the substrate.
5. Screed the surface or lay the tiles and ensure that the expansion joint is not displaced from position.

## Technical Data

Property	Unit	Test Method	
Specific Gravity	-	ASTM D-792	1.2
Thermal Stability	Mins	B.S. 2782	80
Fire resistance			Does not support propagation of flame
Chemical resistance chemicals			Resistant to Most household

## Packing

Length : QUICSEAL 407 is available in lengths of 3m.

## Supply Dimensions

Profile Name	Width	Depth
EJT 10	9 mm	10 mm
EJT 20	9 mm	20 mm
EJL 10	9 mm	10 mm
EJ 20	8 mm	20 mm
EJ 30	9 mm	30 mm

## Important Notes

The information set forth herein is furnished in good faith and is based on technical data that QUICSEAL considers to be reliable. This information is intended for used by persons having technical skill and at their own discretion and risk. Information contained in this product sheet conforms to the standard detail recommendations and specifications for the installation of QUICSEAL products as of the date of publication of this document. QUICSEAL makes no other warranties and assumes no liability, expressed or implied, as to the architecture, engineering or workmanship of any project. To ensure that you are using the latest, most complete information, contact QUICSEAL

Reference No. QS407/300819

**QUICSEAL CONSTRUCTION CHEMICALS PTE LTD**

*QUICSEAL – the professional's choice of quality products and systems for building construction*