



# QUICSEAL 409

## Product Name

uPVC GROOVE JOINT

## Description

QUICSEAL 409 Groove Joint is made from high quality unplasticised polyvinyl chloride (uPVC) materials.

Ideal for forming feature groove lines in plastered walls, QUICSEAL 409 improves the quality of plastered wall finish and reduces inconsistencies due to workmanship

QUICSEAL 409 is available in a standard profile to cater to most applications in various plaster thickness.

## Advantages

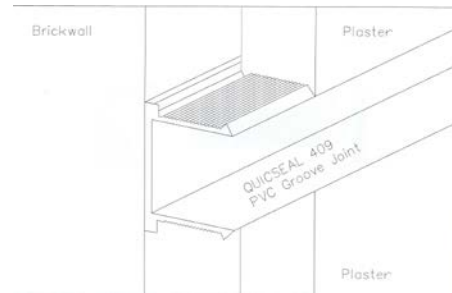
- Light weight – easy to install,
- Can be painted over directly with emulsion or solvent based paint,
- Aesthetically pleasing - enhances the quality of plastered finish,
- Good fire resistance – does not support combustion,
- Does not support fungal growth



1. QUICSEAL 409 set with mortar base

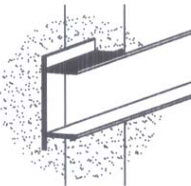
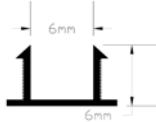
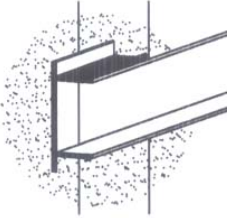
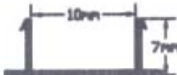
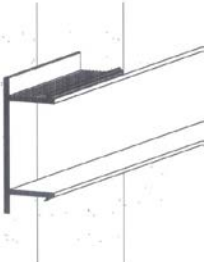
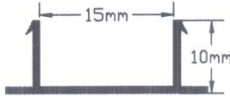
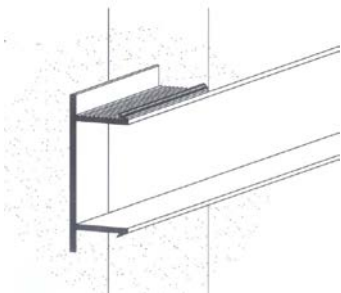



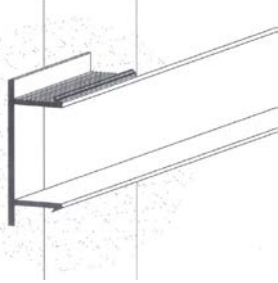

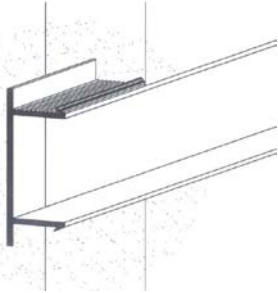
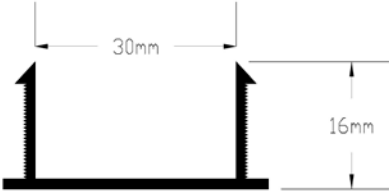
2. Plastering wall to finish flush with plasterwork trim



**SECTIONAL DETAIL OF QUICSEAL 409**

## QUICSEAL 409 Profiles

		
	<b>QS GJ 6</b>	Standard Length: 2m Supply Dimensions: W:6 mm x D: 6mm
		
	<b>QS GJ 10</b>	Standard Length: 2m Supply Dimensions: W: 10 mm x D: 7mm
		
	<b>QS GJ 15</b>	Standard Length:2m Supply Dimensions: W:15 mm x D:10mm
		
	<b>QS GJ 20</b>	Standard Length:2m Supply Dimensions: W:20 mm x D:15mm

		
	<b>QS GJ 20A</b>	Standard Length:2m Supply Dimensions: W:20 mm x D:10mm
		
	<b>QS GJ 30</b>	Standard Length:2m Supply Dimensions: W:30 mm x D:16mm

### Installation instruction

1. Select the groove joint profile according to requirement.
2. Measure and mark the required length of the groove joint profile accordingly.
3. Cut QUICSEAL 409 profile using a cutter. Cut edges can be smoothed by using a small file.
4. Set the QUICSEAL 409 with mortar base according to plastering depth.
5. Plaster the wall and finish flush with the plasterwork trim

### Packing

- Length : QUICSEAL 409 is available in lengths of 2m.  
Pack size : 100 lengths per box

### Important Notes

The information set forth herein is furnished in good faith and is based on technical data that QUICSEAL considers to be reliable. This information is intended for used by persons having technical skill and at their own discretion and risk. Information contained in this product sheet conforms to the standard detail recommendations and specifications for the installation of QUICSEAL products as of the date of publication of this document. QUICSEAL makes no other warranties and assumes no liability, expressed or implied, as to the architecture, engineering or workmanship of any project. To ensure that you are using the latest, most complete information, contact QUICSEAL

Reference No. QS409/300819

**QUICSEAL CONSTRUCTION CHEMICALS PTE LTD**