



QUICSEAL 410

Plastering Corner Ruler –GJL 15/ CTL 100 Plaster Stop

Description

QUICSEAL 410 is made from high quality unplasticised polyvinyl chloride (uPVC) materials and offers high impact strength while providing excellent impact properties.

Uses

QUICSEAL 410 Plastering Corner Ruler is ideal for use as a plastering guide to assist in the finishing and plastering work for the building industry. It is also ideal for use as protection to plasters around corners against impact damage. QUICSEAL 410 Plaster Stop profile provide an edge trim for transformation onto non-tiled surfaces and can be used as a groove former with variable widths on plaster walls.

Advantages

- Excellent weather resistant properties
- Perforated patterns in Plastering Corner Ruler / Plaster Stop sections ensure maximum anchorage under the plaster.
- Can be painted over directly with emulsion or solvent based paint
- Good fire resistance – does not support combustion
- Does not support fungal growth

Installation instruction

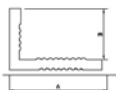
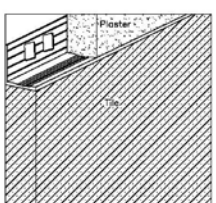
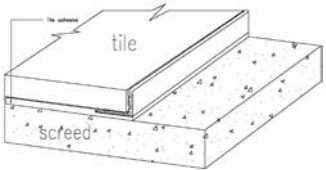
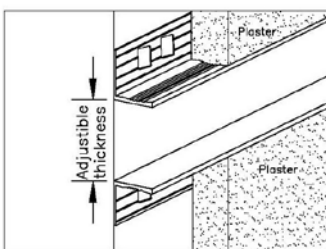
1. Select the plastering corner ruler profile according to requirement.
2. Cut QUICSEAL 410 to required length with an aid of a hacksaw and smoothen the cut edge with a small file.
3. Install the QUICSEAL 410 and ensure that it is securely embedded into the plaster.

Technical Data

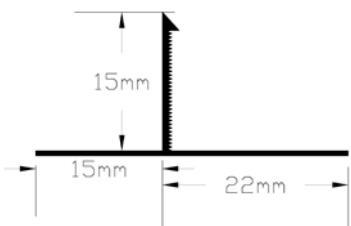
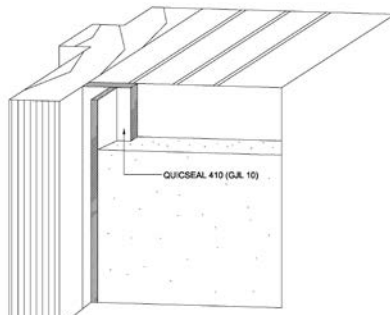
PROPERTY	UNIT	TEST METHOD	RESULTS
Specific Gravity	-	ASTM D-792	1.35 ± 0.05
Vicat Softening Point (1 Kgf load)	°C	ASTM D-1525	90 ± 5
Thermal Stability	Mins	B.S. 2782	30 ± 5

Plastering Corner Ruler Profile

CTL 100 - Plaster Stop

 <p>CTL 100 Profile A = 23 mm B = 10 mm</p>	Typical Applications		
	 <p>Transformation of surface</p>	 <p>tile screed</p>	 <p>Adjustable thickness Plaster Plaster</p> <p>Plastering Groove joint with variable thickness</p>

GJL – 15

	Typical Applications
	 <p>QUICSEAL 410 (GJL 15)</p>

Packing

Length : QUICSEAL 410 is available in lengths of 2.5m
Pack size : 50 & 100 lengths per box

Important Notes

The information set forth herein is furnished in good faith and is based on technical data that QUICSEAL considers to be reliable. This information is intended for use by persons having technical skill and at their own discretion and risk. Information contained in this product sheet conforms to the standard detail recommendations and specifications for the installation of QUICSEAL products as of the date of publication of this document. QUICSEAL makes no other warranties and assumes no liability, expressed or implied, as to the architecture, engineering or workmanship of any project. To ensure that you are using the latest, most complete information, contact QUICSEAL.

Reference No. QS410/270520

[ARDEX-QUICSEAL SINGAPORE PTE. LTD.](http://www.ardex-quicseal.com)
www.ardex-quicseal.com